



Technical Support : 4008-033-022

Website : www.flexem.cn

Online Training : study.flexem.cn

Shanghai Flexem Technology Co, Ltd.

Shanghai	9F, Building A, INNO Creative, No.386 Guoan Road, Yangpu District.
Shenzhen	6F, Building 6, Zhongyuntai Technology Park, Shiyan Town, Baoan District.
Wuhan	1501 Haida Innovation Plaza, No.66 Venture Street, Hongshan District.
Beijing	3306, Building 6, No.93 Yuan Jianguo Road (Wanda Plaza), Chaoyang District.
Foshan	911, Block A, Longbow 16 Technology Park, Guda Road, Zhangchu Street, Chancheng District, Foshan
Suzhou	2206, Building A, Suzhou City Life Plaza, No. 251 Pinglui Road, Gusu District, China
Wuxi	403, Feng Shang Cultural and Creative Center, No. 198 Minfeng Road, Liangxi District.
Hangzhou	1F, Unit LEO, Building 5, Singapore Science and Technology Park, No. 6 Road, Xiasha Economic Development Zone.
Wenzhou	B10, 16th Floor, Tianrun Building, Louqiao Street, Ouhai District.



202309

Push for further intelligentization



HMI Product Brochure

Automation and digitalization solution provider

About us

Flexem Technology is a solution provider of automation-and-digitalization-integrated products. We offer automation and IoT related solutions to both OEM customers and end users in various industries, including HVAC systems, electronic devices, processing and packaging machinery, and natural resources related industries. Our general portfolio includes multiple software, including FM SCADA and IoT gateway, as well as a variety of control products such as PLC, HMI, and Servo.

Our goal is to lead a revolution of mechanical intelligence by providing innovative solutions to automation and IoT related issues. As optimizers, we offer comprehensive solutions for manufacturers of machinery to optimize their production efficiency and reduce the cost of their products.



- Shanghai - HQ, Research & Development Center
- Shenzhen - Production & Logistic Center
- Suzhou - Production & Logistic Center
- Wuhan - Research & Development Center



350+

Supported industrial protocols



5000+

Cases involved & solved



100+

R&D Engineers



800K+

Devices connected

FLEXEM MILESTONE

2014

Dec 2014, our brand-new configuration software, Flexem Studio 1.0, was launched.



2012

Sep 2012, our innovative capacitive industrial HMI was launched.



2010

Nov 2010, Shenzhen production facility was commissioned.

Jun 2010, our first touchscreen-integrated industrial HMI product, FE2000, was launched.



Mar 2010, FLEXEM was founded, and headquartered in Shanghai.

2018

Jan 2018, multiple of our new IoT platforms, including FlexHub and FlexCloud, were released.



2016

Dec 2016, FlexManager software was released.



Nov 2016, FLEXEM was awarded as "Shanghai High-tech Enterprise".

2015

Mar 2015, our FBox, the first IoT gateway in China, was released.



2023



Jun 2023, a series of our Servo products were launched.

Jan 2023, FLEXMATIC was founded in the United States.

2021

Mar 2021, our second R&D center was commissioned in Wuhan.

2019

Jan 2019, our FE6000 HMI with integrated IoT module was released.



Advanced Automation and Information Combined Solution

Machine Automation & IoT Solution

Digital Plant Solution

Remote Equipment Operation & Maintenance Solution

High Performance Servo Drive Solution

Managing

Industrial digitization platform - FlexFusion



- B/S architecture, web browser accessibility
- Data visualization of connected devices
- Support for secondary development
- Cloud data processing & analyzing

Equipment IoT platform - FlexCloud



- Configuration monitoring
- Operational dashboard
- Map monitoring
- Mobile app accessibility
- Data reporting

Monitoring

Industrial SCADA software - FlexSCADA

- Data visualization and 3D presentation
- Support remote installation through LAN or cloud
- Data reporting
- Web browser accessibility



4G, 5G, Ethernet, WiFi, NBIoT



Accessing

FBox-5G



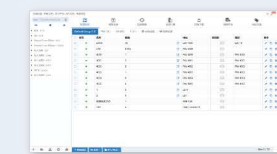
- 5G high-speed internet access
- Multiple data acquisition methods
- Real-time data monitoring Remotely downloadable program

FBox-4G



- Remotely downloadable program
- Multiple data acquisition methods
- Real-time data monitoring

Data Acquisition Gateway for Flexem Devices - FBox



- PLC remote downloading
- Data Configuration
- Firmware upgrade
- Alarm Configuration

- Historical data query
- SIM card management
- Fault diagnosis
- Batch processing

Management Platform for Flexem Terminals - FlexManager

Controlling



FL5 series intelligent PLC

- IIEC61131-3 standard architecture
- Graphical configuration interface
- Ladder diagram, structured text programming language
- Support Flexem IoT platform
- Motion control function
- FSUnified Integrated Engineering Environment



FC5 series PLC

- IIEC61131-3 standard architecture
- Graphical configuration interface
- Ladder diagram, structured text programming language
- FSUnified Integrated Engineering Environment



Remote IO

- Blade type remote IO module
- High-speed bus refresh
- Anti-reverse-connection protection
- Built-in gateway function
- Support multiple network protocols

Flexem controller



FPad series intelligent HMI

- Powerful data processing capabilities
- Support multi-screen interaction
- Web browser accessibility
- Easy docking with third-party systems such as MES



7000 series Intelligent HMI

- Built-in IoT
- Support eSim
- 4 core, 10GHz CPU



6000 series IoT HMI

- High definition, high brightness, full-view display
- FLink IoT module
- Built-in IoT

Flexem HMI

Driveing

Universal Servo



- Adopting the most advanced underlying algorithm in Europe, with a speed loop bandwidth up to 3.2 kHz
- Advanced adaptive tuning, adaptive filtering, inertia identification and other advanced functions
- Support multiple control modes such as Analog, Pulse, EtherCat, etc
- Operational power ranges from 33W to 7500 W

Direct Drive Servo



- Adopting advanced algorithm control platform with graphical debugging wizard
- Support multiple encoder protocols such as ABZ encoder, Hall encoder, BISS-C, Endat, Tamagawa, Nikon, etc
- Advanced functions such as flying photo, inertia identification, friction compensation, speed observing, model tracking, etc
- Support multiple phase finding methods such as Hall, position locking, and micro motion
- Power failure protection and precision compensation

Flexem FPad series Industrial Touch Panel

More than HMI



Based on the X-86 platform

Inspiring more potential HMI abilities

Hardware configuration comparable to standard IPC, breaking through the performance boundary of traditional HMI and opening up the infinite imagination of intelligent HMI.

- 2
- 4
- 128
- millions

2 x HDMI display interface 4 x USB peripheral access 128G storage space Million-level data processing capability



FPad 9 series-Based on x86 ISA

FPad 7 series-Based on ARM ISA

B/S architecture software

Support web access on PC, Tablet, Mobile Phones

FPad Based on the B/S architecture, naturally supports Web browser access, providing users with more flexible access modes

Support browser access by mobile phone, tablet, and PC
Support multi-screen debugging and interlocked operation
More dynamic and clear visual effects

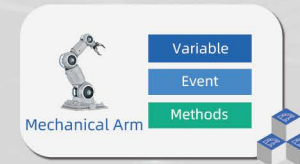


Object-oriented programming, rapid development of complex projects

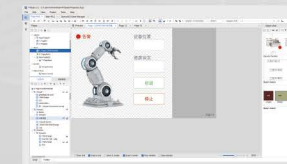
FPad engineering is built based on a data model that can quickly standardize device engineering by establishing a unified, common device description language.



Support data decoupling
Intelligent label mapping, easy to replace PLC brands



Support model reuse
Batch adding duplicate modules in complex projects



Support template sharing
Different developers can share the same standard



Superior data statistics and analysis

FAI9 can carry out rich templates of data tracing and chart analysis on HMI.

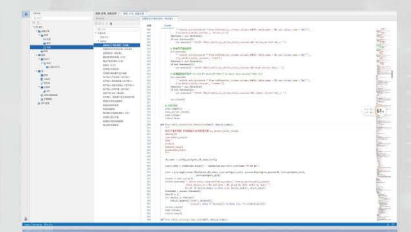
Raw data aggregation, statistics and analysis



Customized reports, support auto-send and print



Integrated with Python, support multiple data analysis algorithms



IT & OT fusion

Support mainstream HTTP interface docking, zero script to config SOAP interface

Support customized MQTT/OPC UA data push, adapting to any manufacturer easily

Easy docking to third-party information systems (MES, ERP, user management systems), one-click forwarding alarm operation logs to third-party systems



Intelligent HMI - FPad Series

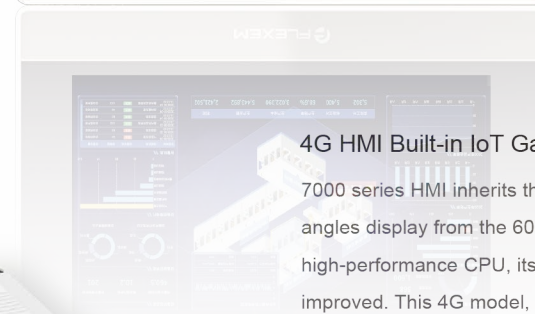
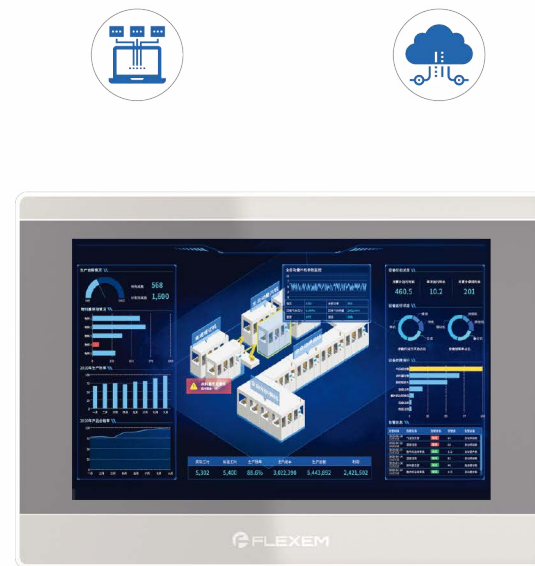
Model	FPad916R001	FPad910R001
Display	15.6" 16:9 TFT LCD	10.1" 16:9 TFT LCD
LCD Viewing Angles (T/B/L/R)	85°/85°/85°/85°	80°/80°/80°/80°
Resolution	1920×1080	1024×600
Colors	16.7M 24-bit	16.7M 24-bit
Brightness	250 cd/m ²	350 cd/m ²
Touch Panel	4-wire industrial resistance touch screen	4-wire industrial resistance touch screen
CPU	Intel Celeron J3455 4 core 1.50GHz, up to 2.30GHz	Intel Celeron J3455 4 core 1.50GHz, up to 2.30GHz
Memory	8GB DDR3L, support 1333/1600/1866 MHz	8GB DDR3L, support 1333/1600/1866 MHz
Storage	128GB, SATA SSD	128GB, SATA SSD
Ethernet	LAN1: RJ45, 10/100/1000 Mbps LAN2: RJ45, 10/100/1000 Mbps	LAN1: RJ45, 10/100/1000 Mbps LAN2: RJ45, 10/100/1000 Mbps
USB Port	4 * USB3.0 (Type-A, Rear IO)	4 * USB3.0 (Type-A, Rear IO)
Display Port	2*HDMI (upright 90° Type-A): up to 3840x2160@30Hz	2*HDMI (upright 90° Type-A): up to 3840x2160@30Hz
Serial Port	1 * RS232 (COM1, Full lanes, DB9/M)	1 * RS232 (COM1, Full lanes, DB9/M)
WiFi	Optional	Optional
Horn	Built-in	Built-in
Operating System	Linux	Linux
Programming Software	FStudio Unified	FStudio Unified
Rated Power	< 60W	< 60W
Input Voltage	DC12V/5A	DC12V/5A
Power Protection	Isolated power adapter with lightning surge protection	Isolated power adapter with lightning surge protection
Power Interruption Tolerance	< 5mS	< 5mS
Certification	CE, RoHS	CE, RoHS
Operating Temperature	0~50°C	0~50°C
Storage Temperature	-20~60°C	-20~60°C
UV Resistance	Operating in high UV environment is prohibited	Operating in high UV environment is prohibited
Environmental Humidity	10~90%RH (Non-condensing)	10~90%RH (Non-condensing)
Vibration Endurance	10~25Hz (X, Y, Z direction 2G/30 minutes)	10~25Hz (X, Y, Z direction 2G/30 minutes)
Cooling Mode	Natural cooling	Natural cooling
Installation Method	Flush-mounted	Flush-mounted
Protection Level	Front IP65 (with NEMA panel), Back IP20	Front IP65 (with NEMA panel), Back IP20
Mechanical Structure	Non-ferrous alloy housing	Non-ferrous alloy housing
Cutout Dimensions	380mm×245mm	260mm×202mm
Dimensions	394mm×256mm×53.3mm	273mm×213mm×54.5mm
Weight	About 2950g	About 2480g

Model	FPad916-DPR
Display	15.6" 16:9 TFT LCD
LCD Viewing Angles (T/B/L/R)	85°/85°/85°/85°
Resolution	1920×1080
Colors	16.7M 24-bit
Brightness	250 cd/m ²
Touch Panel	4-wire industrial resistance touch screen
USB Port	1 * USB3.0 (Type-C, Rear IO)
Display Port	2*HDMI (upright 90° Type-A): up to 3840x2160@30Hz
Horn	Built-in
Programming Software	FStudio Unified
Rated Power	< 60W
Input Voltage	DC12V/5A
Power Protection	Isolated power adapter with lightning surge protection
Power Interruption Tolerance	< 5mS
Certification	CE, RoHS
Operating Temperature	0~50°C
Storage Temperature	-20~60°C
UV Resistance	Operating in high UV environment is prohibited
Environmental Humidity	10~90%RH (Non-condensing)
Vibration Endurance	10~25Hz (X, Y, Z direction 2G/30 minutes)
Cooling Mode	Natural cooling
Installation Method	Flush-mounted
Protection Level	Front IP65 (with NEMA panel), Back IP20
Mechanical Structure	Non-ferrous alloy housing
Cutout Dimensions	380mm×245mm
Dimensions	394mm×256mm×22mm
Weight	About 2300g

Model	FPad-CB001
CPU	Intel Celeron J3455 1.50GHz, up to 2.30GHz
Memory	8GB DDR3L, support 1333/1600/1866 MHz
Storage	128GB, SATA SSD
Ethernet	LAN1: RJ45, 10/100/1000 Mbps LAN2: RJ45, 10/100/1000 Mbps
USB Port	4 * USB3.0 (Type-A, Rear IO)
Display Port	2*HDMI (upright 90° Type-A): up to 3840x2160@30Hz
Serial Port	1 * RS232 (COM1, Full lanes, DB9/M)
WiFi	Optional
Horn	Built-in
Operating System	Linux
Programming Software	FStudio Unified
Rated Power	< 60W
Input Voltage	DC12V/5A
Power Protection	Protect from thunder strike and surging
Power Interruption Tolerance	< 5mS
Certification	CE, RoHS
Operating Temperature	0~50°C
Storage Temperature	-20~60°C
UV Resistance	Operating in high UV environment is prohibited
Environmental Humidity	10~90%RH (Non-condensing)
Vibration Endurance	10~25Hz (X, Y, Z direction 2G/30 minutes)
Cooling Mode	Natural cooling
Installation Method	DIN-Rail mounting
Protection Level	Whole IP20
Mechanical Structure	Non-ferrous alloy housing
Dimensions	32mm×190mm×138mm
Weight	About 650g

FE 7000 Series Intelligent HMI

- Embedded IoT function -



4G HMI Built-in IoT Gateway

7000 series HMI inherits the high definition, high brightness, and wide viewing angles display from the 6000 series. With its upgraded 4-core 1 GHz high-performance CPU, its human-machine interaction experience is greatly improved. This 4G model, integrated with built-in IoT function, provides customers with more economical and convenient HMI solutions.



Built-in IoT

- Built-in IoT function
- Ethernet / 4G internet access
- Support remote installation and configuration of Flexem Cloud platform
- More cost-effective IoT networking solution



Support eSIM

- On-demand selection and activation of plan
- Brand new eSIM management platform



4-Core 1GHz Processor

- 4-core 1GHz high-performance processor
- Page transition speed increased by 40%

Model	FE7070WE-4G	FE7100WE-4G
Display	7" 16:9 TFT LCD	10.1" 16:9 TFT LCD
LCD Viewing Angles (T/B/L/R)	85°/85°/85°/85°	
Resolution	1024×600	
Colors	24-bit	
Brightness	350 cd/m ²	
Touch Panel	4-wire industrial resistive touchscreen	
CPU	1GHz, CortexTM-A7	
Memory	4GB Flash+128MB DDR3	
RTC	Built-in	
Ethernet	1*10M/100M	
USB Port	1*Type-C OTG	
Program Download Method	USB Slave / Flash drive	
Serial Port	COM1: RS232/RS485/RS422; COM2: RS485; COM3: RS232	
IoT Function	Built-in	
ISP/Internet provider	Contacting the local internet provider for internet service	
Supported Network Interface	Ethernet / 4G	
Network Frequency Band	LTE FDD: B1/B3/B5/B8; LTE TDD: B38/B39/B40/B41	
VPN Transparent Transmission	Available	
Data Monitoring	300 points	
Alarm Item	100 points	
Historical Item	30 points	
Edge Computing	20 points	
Network Protocol	Support more than 100 industrial protocols	
Management and Maintenance	Support import, export, and remote update of configuration files	
Rated Power	< 10W	
Input Voltage	DC24V, working range DC 9V~28V	
Power Protection	Isolated power adapter with lightning surge protection	
Power Interruption Tolerance	< 5mS	
Certification	CE, RoHS	
Operating Temperature	0~50°C	
Storage Temperature	-20~60°C	
UV Resistance	Operating in high UV environment is prohibited	
Environmental Humidity	10~90%RH (Non-condensing)	
Vibration Endurance	10~25Hz (X, Y, Z direction 2G/30 minutes)	
Protection Level	Front IP65 (with NEMA panel), Rear: IP20	
Mechanical Structure	Engineering plastics	
Cutout Dimensions	190mm×136mm	260mm×202mm
Dimensions	204mm×145mm×34mm	273mm×213mm×36mm
Weight	About 472g	About 920g

Industrial HMI - FE7000 Series

Model	FE7070C	FE7070W	FE7070WE	FE7100W	FE7100WE
Display	7" 16:9 TFT LCD	7" 16:9 TFT LCD	7" 16:9 TFT LCD	10.1" 16:9 TFT LCD	
LCD Viewing Angles (T/B/L/R)	50°/70°/70°/70°	85°/85°/85°/85°	85°/85°/85°/85°	85°/85°/85°/85°	
Resolution	800x480	1024x600	1024x600	1024x600	
Colors	24-bit		24-bit		
Brightness	350cd/m ²		400cd/m ²		
Touch Panel	4-wire industrial resistive touchscreen		4-wire industrial resistive touchscreen		
CPU	1GHz, 4-core Cortex™-A7 Processor		1GHz, 4-core Cortex™-A7 Processor		
Memory	128MB Flash + 128MB DDR3	128MB Flash + 128MB DDR3	4GB Flash + 128MB DDR3	128MB Flash + 128MB DDR3	4GB Flash + 128MB DDR3
Ethernet	NA	NA	1*10M/100M	NA	1*10M/100M
USB Port	1*Type-C OTG		1*Type-C OTG		
Program Download Method	USB Slave / Flash drive		USB Slave/ Flash drive		
Serial Port	COM1: RS232/RS485/RS422 COM3: RS232	COM1: RS232/RS485/RS422 COM2: RS485 COM3: RS232	COM1: RS232/RS485/RS422 COM2: RS485 COM3: RS232		
Rated Power	<10W		<10W		
Input Voltage	DC24V, working range DC 9V~28V		DC24V, working range DC 9V~28V		
Power Protection	Isolated power adapter with lightning surge protection		Isolated power adapter with lightning surge protection		
Power Interruption Tolerance	<5mS		<5mS		
Certification	CE, RoHS		CE, RoHS		
Operating Temperature	0~50°C		0~50°C		
Storage Temperature	-20~60°C		-20~60°C		
UV Resistance	Operating in high UV environment is prohibited		Operating in high UV environment is prohibited		
Environmental Humidity	10~90%RH (Non-condensing)		10~90%RH (Non-condensing)		
Vibration Endurance	10~25Hz (X, Y, Z direction 2G/30 minutes)		10~25Hz (X, Y, Z direction 2G/30 minutes)		
Protection Level	Front IP65 (with NEMA panel), Rear: IP20		Front IP65 (with NEMA panel), Rear: IP20		
Enclosure Material	Engineering plastic		Engineering plastic		
Cutout Dimensions	190mm×136mm		190mm×136mm	260mm×202mm	
Dimensions	204mm×145mm×34mm		204mm×145mm×34mm	273mm×213mm×36mm	
Weight	About 476g	About 468g	About 472g	About 890g	About 920g

Industrial HMI - FE9000 Series

Model	FE9070WE	FE9100M	FE9121M	FE9150M	FE9156M
Display	7" 16:9 TFT LCD	10.1" 16:9 TFT LCD	12.1" 4:3 TFT LCD	15" 4:3 TFT LCD	15.6" 16:9 TFT LCD
LCD Viewing Angles (T/B/L/R)	85°/85°/85°/85°	85°/85°/85°/85°	80°/80°/80°/80°	80°/80°/80°/80°	85°/85°/85°/85°
Resolution	1024×600	1024×600	1024×768	1024×768	1920×1080
Colors	24-bit	16-bit	16-bit	16-bit	16-bit
Brightness	350 cd/m ²	400 cd/m ²	350 cd/m ²	400 cd/m ²	250 cd/m ²
Touch Panel	4-wire industrial resistive touchscreen	4-wire industrial resistive touchscreen	4-wire industrial resistive touchscreen	4-wire industrial resistive touchscreen	4-wire industrial resistive touchscreen
CPU	1G ARM Cortex-A8	1.2G Cortex-A53	1.2G Cortex-A53	1.2G Cortex-A53	1.2G Cortex-A53
Memory	256MB Flash + 512MB DDR3	8GB Flash + 1GB DDR3	256MB Flash+512M DDR3	8GB Flash + 1GB DDR3	8GB Flash + 1GB DDR3
Ethernet	1*10M/100M	2*10M/100M	1*10M/100M Ethernet	1*10M/100M Ethernet	2*10M/100M
USB Port	1*USB Slave 2.0 ; 1*USB Host 2.0	1*USB Slave 2.0 ; 1*USB Host 2.0	1*USB Slave 2.0 ; 1*USB Host 2.0	1*USB Slave 2.0 ; 1*USB Host 2.0	1*USB Slave 2.0 ; 1*USB Host 2.0
Program Download Method	USB Slave/ Flash drive / Ethernet	USB Slave/ Flash drive / Ethernet	USB Slave / Flash drive / Ethernet	USB Slave / Flash drive / Ethernet	USB Slave / Flash drive / Ethernet
Serial Port	COM1:RS232 /RS485 /RS422 COM2:RS485 COM3:RS232	COM1: RS232 /RS485 /RS422 COM2: RS485/RS422 COM3: RS232	COM1/COM2: RS232 /RS485 /RS422 COM3/COM4: RS232	COM1/COM2: RS232 /RS485 /RS422 COM3/COM4: RS232	COM1: RS232 /RS485 /RS422 COM2: RS485/RS422 COM3: RS232
Rated Power	< 10W	< 10W	< 15W	< 15W	< 18W
Input Voltage	DC24V, Working range DC 9V~28V	DC24V, Working range DC 9V~28V	DC24V, Working range DC 9V~28V	DC24V, Working range DC 18V~28V	DC24V, Working range DC 18V~28V
Power Protection	Lighting surge protection	Lighting surge protection	Isolated power adapter with lightning surge protection	Isolated power adapter with lightning surge protection	Isolated power adapter with lightning surge protection
Power Interruption Tolerance	< 5mS	< 5mS	< 5mS	< 5mS	< 5mS
Certification	CE, RoHS	CE, RoHS	CE, RoHS	CE, RoHS	CE, RoHS
Operating Temperature	0~50°C	-10~60°C	-10~60°C	-10~60°C	-0~50°C
Storage Temperature	-20~60°C	-20~70°C	-20~70°C	-20~70°C	-20~60°C
UV Resistance	Operating in high UV environment is prohibited	Operating in high UV environment is prohibited	Operating in high UV environment is prohibited	Operating in high UV environment is prohibited	Operating in high UV environment is prohibited
Environmental Humidity	10~90%RH (Non-condensing)	10~90%RH (Non-condensing)	10~90%RH (Non-condensing)	10~90%RH (Non-condensing)	10~90%RH (Non-condensing)
Vibration Endurance	10~25Hz (X, Y, Z direction 2G/30min)	10~25Hz (X, Y, Z direction 2G/30min)	10~25Hz (X, Y, Z direction 2G/30min)	10~25Hz (X, Y, Z direction 2G/30min)	10~25Hz (X, Y, Z direction 2G/30min)
Cooling Mode	Natural Cooling	Natural Cooling	Natural Cooling	Natural Cooling	Natural Cooling
Protection Level	Front:IP65 (NEMA panel), Rear: IP20	Front:IP65 (NEMA panel), Rear: IP20	Front:IP65 (NEMA panel), Rear: IP20	Front:IP65 (NEMA panel), Rear: IP20	Front:IP65 (NEMA panel), Rear: IP20
Enclosure Material	Engineering plastic	Aluminum alloy	Aluminum alloy + Powder coated galvanized sheet	Aluminum alloy + Powder coated galvanized sheet	Aluminum alloy
Cutout Dimensions	192mm×138mm	260mm×202mm	291mm×219mm	360mm×272mm	380mm×245mm
Dimensions	204mm×145mm×33.8mm (Including extension module)	274mm×214mm×29mm, (Without extension module)	310mm×240mm×48.5mm (Including extension module)	394mm×297mm×48.3mm (Including extension module)	394mm×256mm×36mm, (Without extension module)
Weight	About 560g	About 1450g	About 2710g	About 4300g	About 2250g

6000 Series IoT HMI



High definition, high brightness, full view

7"	1024x600	350cd/m2
10.1"	1024x600	400cd/m2
15.6"	1920x1080	250cd/m2



Support Edge Computing

- Over 300 protocols local analysis
- VPN and router function
- Data storage function
- MQTT available



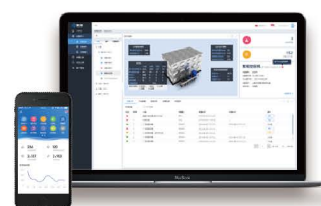
Support FLink IoT Expansion Module

- PLC remote downloading
- Data configuration
- Historical data query
- Alarm Setting



Flexcloud Platform

- Configuration Monitoring
- Map monitoring
- Data Reporting
- Mobile app accessibility



FLink



- Ethernet module for FE6000 series IoT HMI
- Plug and play
- Versatile connectivity: Ethernet, 4G, or Wi-Fi

Model	FLink	FLink-4G-C	FLink-4G-A	FLink-WiFi-A
Network Access	Ethernet	Ethernet/4G	Ethernet/4G	Ethernet/WiFi
Network Frequency Band	NA	LTE FDD: B1/B3/B5/B8 LTE TDD: B34/B38/B39/B40/B41	LTE FDD: B1/B3/B5/B8 LTE TDD: B38/B39/B40/B41 WCDMA: B1/B8 TD-SCDMA: B34/B39 CDMA: BC0 GSM: 900/1800MHz	IEEE802.11b/g/n compatible WLAN IEEE 802.11e QoS Enhancement (WMM)
Compatible HMI Model	FE6070H FE6070WE FE6100CE FE6100WE FE6100CE FE6100M FE6156H	6000 series HMI	6000 series HMI	6000 series HMI
Data Monitoring	Available			
Historical Data Recording	Available			
Transparent Transmission	Available			
VPN Transparent Transmission	NA	Available		
Edge Computing	Available			
API	Available			
Management and Maintenance	Support import, export, and remote update of configuration files			
Data Monitoring	300 points	100 points	300 points	300 points
Alarm Item	100 points	60 points	100 points	100 points
Historical Item	30 points	30 points	30 points	30 points
Historical Data Storage Duration	90 days	60 days	180 days	90 days
Dimensions	68mm×74mm×19.5mm			
Enclosure Material	Engineering plastic			
Antenna	NA	FEA-YT	FEA-WiFi	

* FLink-4G-C can only be purchased together with 6000 series HMI. It is not available for individual purchase.

Industrial HMI - FE 6000 Series

Model	FE6070C	FE6070W	FE6070H	FE6070WE	FE6100C	FE6100W	FE6100CE	FE6100WE	FE6100M	FE6156H
Display	7"16:9 TFT LCD				10.1"16:9 TFT LCD		10.1"16:9 TFT LCD		10.1"16:9 TFT LCD	15.6"16:9 TFT LCD
LCD viewing Angles (T/B/L/R)	50°/70°/70°/70°		85°/85°/85°/85°		85°/85°/85°/85°			85°/85°/85°/85°		
Resolution	800×480		1024×600		1024×600			1024×600		1920×1080
Colors	24-bit		24-bit		24-bit			24-bit		16-bit
Brightness	350 cd/m ²		350 cd/m ²		400 cd/m ²		400 cd/m ²		400 cd/m ²	250 cd/m ²
Touch Panel	4-wire industrial resistive touchscreen				4-wire industrial resistive touchscreen					
CPU	V2:600MHz ARM Cortex-A8 V3:1.2GHz ARM Cortex-A7				V2:600MHz ARM Cortex-A8 V3:1.2GHz ARM Cortex-A7				1G ARM Cortex-A8	
Memory	V2:128MB Flash + 128MB DDR3 V3:4GB EMMC + 128MB DDR3		V2:128MB Flash + 128MB DDR3 V3:4GB EMMC + 256MB DDR3		V2:128MB Flash + 128MB DDR3 V3:4GB EMMC + 128MB DDR3		V2:128MB Flash + 128MB DDR3 V3:4GB EMMC + 256MB DDR3		256MB Flash+512M DDR3	
Ethernet	NA		1*10M/100M		NA		1*10M/100M		1*10M/100M	
USB Port	1*USB Slave 2.0 ; 1*USB Host 2.0				1*USB Slave 2.0 ; 1*USB Host 2.0					
Program Download Method	USB Slave / Flash drive		USB Slave / Flash drive / Ethernet		USB Slave / Flash drive		USB Slave / Flash drive / Ethernet		USB Slave/ Flash drive / Ethernet	
Serial Port	COM1:RS232/RS485/RS422 COM3: RS232		COM1:RS232/RS485/RS422 COM2: RS485 COM3: RS232		COM1: RS232/RS485/RS422 COM2: RS485 COM3: RS232		COM1:RS232/RS485/RS422 COM2: RS485 COM3: RS232		COM1:RS232/RS485/RS422 COM2: RS485/RS422 COM3: RS232	
Rated Power	< 10W				< 10W				< 18W	
Input Voltage	DC24V, Working range DC 9V~28V				DC24V, Working range DC 9V~28V				DC24V, Working range DC 18V~28V	
Power Protection	Lighting surge protection				Lighting surge protection				Isolated power adapter with lightning surge protection	
Power Interruption Tolerance	< 5mS				< 5mS					
Certification	CE, RoHS				CE, RoHS					
Operating Temperature	0~50°C				0~50°C				-10~60°C	
Storage Temperature	-20~60°C				-20~60°C					
UV Resistance	Operating in high UV environment is prohibited				Operating in high UV environment is prohibited					
Environmental Humidity	10~90%RH (Non-condensing)				10~90%RH (Non-condensing)					
Vibration Endurance	10~25Hz (X, Y, Z direction 2G/30min)				10~25Hz (X, Y, Z direction 2G/30min)					
Protection Level	Front:IP65 (NEMA panel), Rear: IP20				Front:IP65 (NEMA panel), Rear: IP20					
Enclosure Material	Engineering plastic	Engineering plastic	Engineering plastic	Engineering plastic	Engineering plastic	Engineering plastic	Engineering plastic	Engineering plastic	Aluminum alloy	
Cutout Dimensions	192mm×138mm				260mm×202mm		260mm×202mm		260mm×202mm	380mm×245mm or VESA
Dimensions	204mm×145mm×33.8mm				273mm×213mm×36mm		273mm×213mm×36mm		274mm×214mm×39mm	394mm×256mm×36mm
Weight	About 560g				About 890g		About 920g		About 1450g	About 2250g

F1 Series IoT HMI

-High-performance capacitive HMI-



Built-in IoT function, DOIT, Intelligent interaction.



Auto-adjust screen rotation for both horizontal and vertical use.



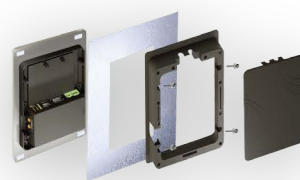
Audio and Video Playback.



VNC remote screen projecting.



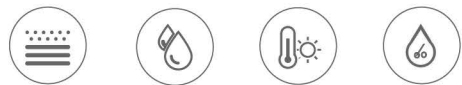
10" overall, 7" cutout.



Inovative magnetic mounting.

Model	F110
Display	10.1" 16:10 TFT LCD
LCD Viewing (T/B/L/R)	85°/85°/85°/85°
Resolution	Vertical screen: 800×1280; Horizontal screen: 1280×800
Colors	24-bit
Brightness	400 cd/m ²
Touch Panel	Capacitive HMI
CPU	4-core 1.2G ARM Cortex-A7 Processor
Memory	4GB eMMC+256MB DDR3
RTC	Built-in
Ethernet	1*10M/100M
USB port	1*USB Type-C 2.0 ; 1*USB Host 2.0
Program Download Method	Type-C / Flash drive / Ethernet
Serial Port	COM1: RS232/RS485/RS422; COM2: RS485; COM3: RS232
Speaker	Built-in
IoT Networking Mode	Ethernet/ 4G
Network Frequency Band	LTE FDD: B1/B3/B5/B8; LTE TDD: B34/B38/B39/B40/B41
Rated Power	< 10W
Input Voltage	DC24V, Working range DC 9V~28V
Power Protection	Lighting surge protection
Power Interruption Tolerance	< 5mS
Certification	CE, RoHS
Operating Temperature	-10~60°C
Storage Temperature	-20~70°C
UV Resistance	Operating in high UV environment is prohibited
Environmental Humidity	10~90%RH (Non-condensing)
Vibration Endurance	10~25Hz (X, Y, Z direction 2G/30 minutes)
Protection Level	Front IP65 (with NEMA panel), Rear: IP20
Enclosure Material	Aluminum alloy front shell + ABS rear shell
Cutout Dimensions	Vertical screen: 138mm×192mm; Horizontal screen: 192mm×138mm
Dimensions	249mm×158mm×30mm
Weight	About 1450g
VPN Transparent Transmission	Available
Data Monitoring	300 points
Alarm Item	100 points
Historical Item	30 points
Edge Computing	20 points
Network Protocol	Support more than 100 industria protocols
Management and Maintenance	Support import, export, and remote update of configuration files

Capacitive HMI



Dust-proof Oil-resistant Heat-resistant Moisture-proof

- Multi-touch capacitive HMI screen with high sensitivity;
- Good light transmittance, scratch-resistant, no drifting;
- High transmittance, scratch-resistant, image stability;
- ARM Cortex-A8 processor, high computing speed;
- Support multiple image and animation formats;
- Special screen effects triggered by designated multi-touch gestures.

Model	F007N	F010
Display	7" 16:9 TFT LCD	9.7" 4:3 TFT LCD
LCD Viewing Angles (T/B/L/R)	85°/85°/85°/85°	85°/85°/85°/85°
Resolution	1024x600	1024x768
Colors	24-bit	16-bit
Brightness	350cd/m ²	350cd/m ²
Touch Panel	Glass+Glass projective multi-touch capacitive HMI	
CPU	4-core 1.2G ARM Cortex-A7	
Memory	4G eMMC+256MB DDR3	
Ethernet	1*10M/100M	
SD card compatibility	Available	
USB Port	1*Type-C 1*USB Host 2.0	1*USB Device 2.0 1*USB Host 2.0
Program Download Method	USB Slave /Flash drive /Ethernet	
Serial Port	COM1: RS232/RS485/RS422 COM2/COM4: RS485 COM3: RS232	
Rated Power	<6W	<8W
Input Voltage	DC24V, working range DC 9V~28V	
Power Protection	Lighting surge protection	
Power Interruption Tolerance	<5mS	
Certification	CE, RoHS	
Operating Temperature	-10~60°C	
Storage Temperature	-20~70°C	
UV Resistance	Operating in high UV environment is prohibited	
Environmental Humidity	10~90%RH (Non-condensing)	
Vibration Endurance	10~25Hz (X, Y, Z direction 2G/30 minutes)	
Protection Level	Front IP65 (with NEMA panel), Rear: IP20	
Enclosure Material	Aluminum alloy + Engineering plastic	
Cutout Dimensions	178mm×125mm	230mm×180mm
Dimensions	185.1mm×130.9mm×32.6mm	247mm×197mm×31.5mm
Weight	About 600g	About 1100g

Economic Resistive HMI



- ARM Cortex-A8 processor;
- Support multiple image and animation formats;
- Plastic enclosure, cost-effective and highly reliable;
- High resolution, high brightness, LED backlight;
- Up to 50000 hours of LCD lifetime;
- Isolated power source, tri-proof coated main board;

Model	FE3043H	FE3370C
Display	4.3" 16:9 TFT LCD	7" 16:9 TFT LCD
LCD Viewing Angles (T/B/L/R)	80°/80°/80°/80°	50°/70°/70°/70°
Resolution	800×480	800×480
Colors	16-bit	16-bit
Brightness	250cd/m ²	250cd/m ²
Touch Panel	4-wire industrial resistive touchscreen	4-wire industrial resistive touchscreen
CPU	720MHz ARM	1GHz, Dual Cortex-A7
Memory	128MB Flash+64MB DDR3	128MB Flash+128MB DDR3
RTC	Built-in	Built-in
Ethernet	NA	NA
SD card compatibility	NA	NA
USB Port	1*Type-C OTG	1*Type-C OTG 1*USB Type A
Program Download Method	USB Slave / USB	USB Slave / USB
Serial Port	COM1: RS232/RS485/RS422 COM3: RS232	COM1: RS232/RS485/RS422 COM2: RS485 COM3: RS232
Rated Power	<2.5W	<10W
Input Voltage	DC24V, working range DC 9V~28V	DC24V, working range DC 9V~28V
Power Protection	Lighting surge protection	
Power Interruption Tolerance	<5mS	
Certification	CE, RoHS	
Operating Temperature	0~50°C	
Storage Temperature	-20~60°C	
UV Resistance	Operating in high UV environment is prohibited	
Environmental Humidity	10~90%RH (Non-condensing)	
Vibration Endurance	10~25Hz (X, Y, Z direction 2G/30 minutes)	
Protection Level	Front IP65 (with NEMA panel), Rear: IP20	
Enclosure Material	Engineering plastic	Engineering plastic
Cutout Dimensions	132mm×80mm	190mm×136mm
Dimensions	138mm×86mm×32mm	204mm×145mm×34mm
Weight	About 300g	About 476g

FE7070IP

With IP65 Water-proof Touchscreen



Powerful CPU
1GHz ARM Cortex-7 processor, high computing speed



Waterproof USB/Type-C port
Prevent water leakage with silicone-sealed cover



Waterproof power & communication connector
Safeguard electricity safety with waterproof design



Waterproof screws
Rust-proof, corrosion-resistant, and oxidation-resistant



Blind-hole fastener
Prevent vapor from soaking into the motherboard



Multi-layer silicone seals
High sealing performance, heat-resistant and durable

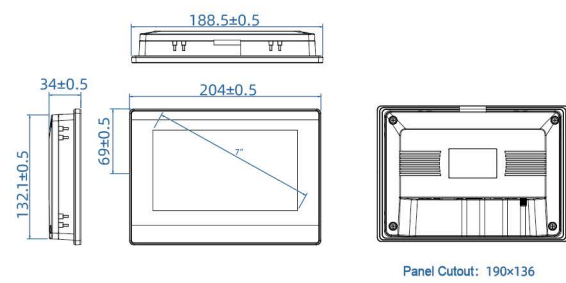
FE7070IP

Model	FE7070IP
Display	7" 16:9 TFT LCD
LCD Viewing Angles (T/B/L/R)	50°/70°/70°/70°
Resolution	800×480
Colors	16-bit
Brightness	350 cd/m ²
Touch Panel	4-wire industrial resistive touchscreen
CPU	1GHz ARM Cortex-A7
Memory	128MB Flash + 128MB DDR3
RTC	Built-in
Ethernet	NA
USB Port	1*USB Slave Type-C ; 1*USB Host 2.0
Program Download Method	USB Slave /Flash drive
Serial Port	COM1: RS485
Rated Power	< 10W
Input Voltage	DC24V, Working range DC 9V~28V
Power Protection	Lighting surge protection
Power Interruption Tolerance	< 5mS
Certification	CE, RoHS
Operating Temperature	-0~50°C
Storage Temperature	-20~60°C
UV Resistance	Operating in high UV environment is prohibited
Environmental Humidity	10~90%RH (Non-condensing)
Vibration Endurance	10~25Hz (X, Y, Z direction 2G/30 minutes)
Protection Level	IP65
Enclosure Material	Engineering plastic
Cutout Dimensions	192mm×138mm (or 190mm×136mm)
Dimensions	199mm×145mm×50mm
Weight	About 500g

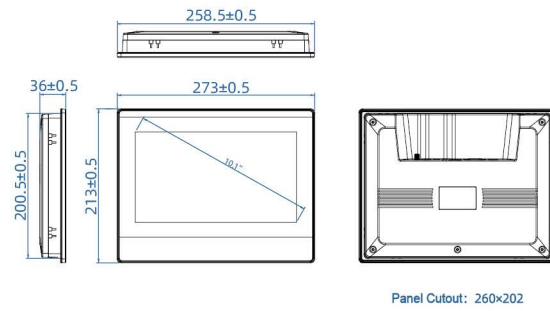
HMI Dimensions

Unit: mm

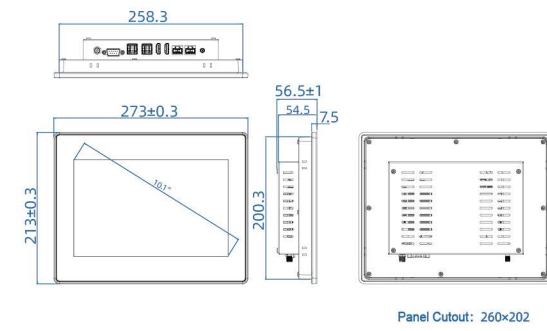
FE7070C/W/WE/WE-4G



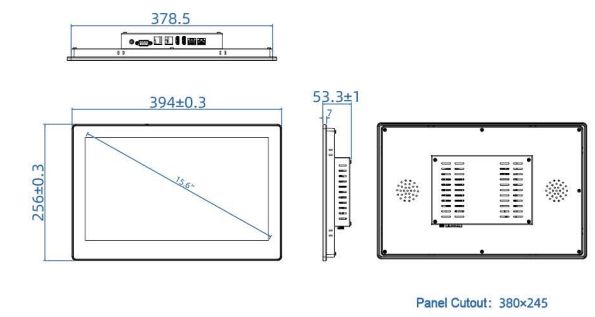
FE7100/W/WE/WE-4G



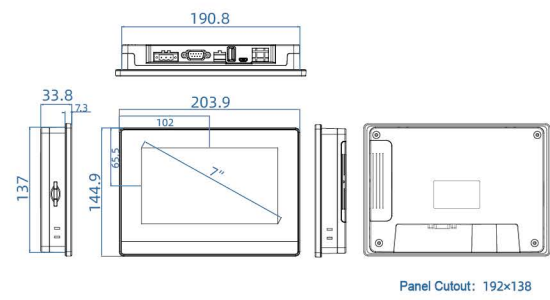
FPAD910R001



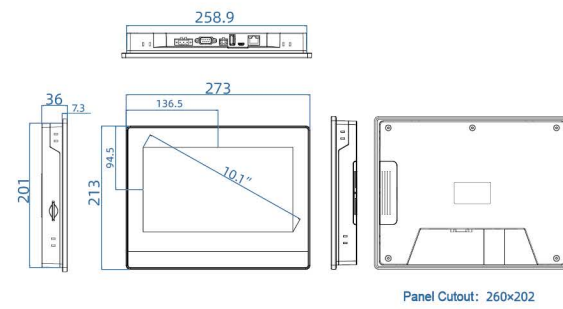
FPAD916R001



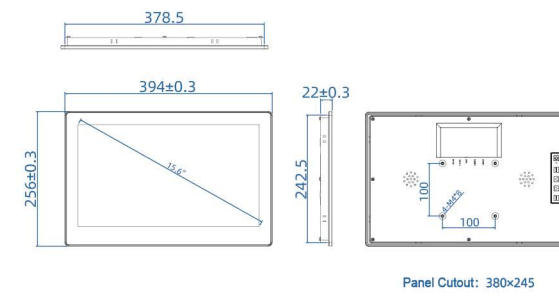
FE6070C/H/W/WE/FE9070WE



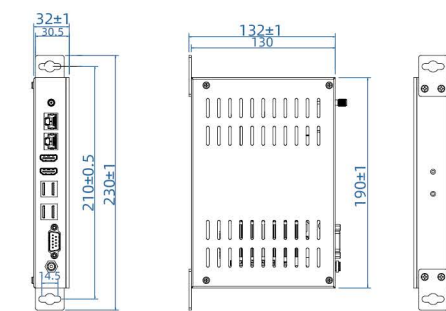
FE6100C/CE/W/WE



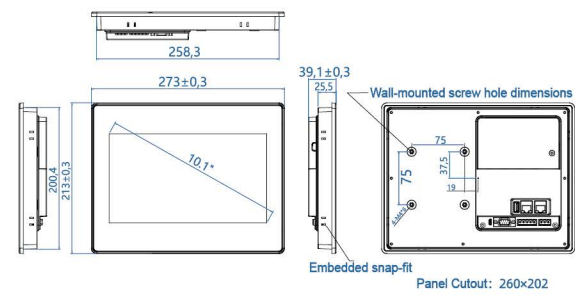
FPAD916-DPR



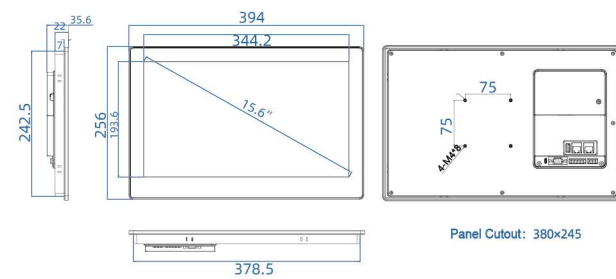
FPAD-CB001



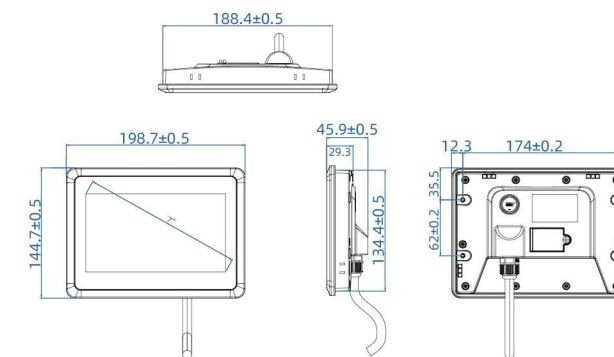
FE6100M/FE9100M_WE



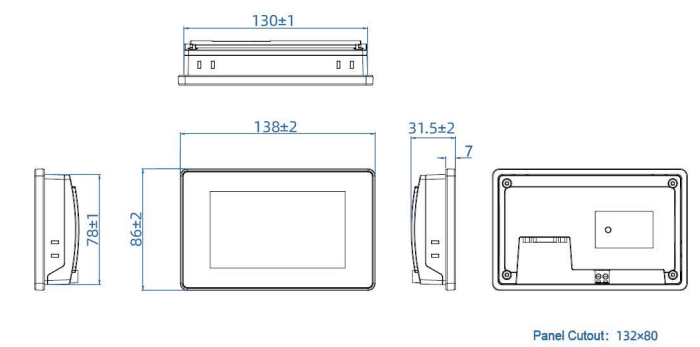
FE6156H/FE9156WE_M



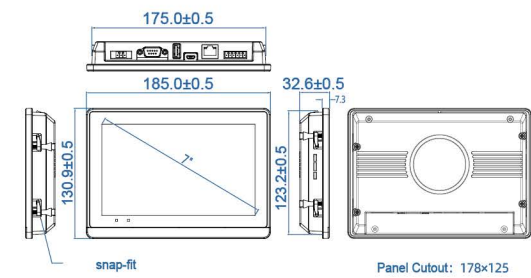
FE7070IP



FE3043H_FX3043H



F007N



F010

